

MTC - MultiControl

Control and regulating device

- Display with text display
- Weekly program
- Modbus Slave communication
- Alarm function
- Damper actuator function



Description:

You receive with the MTC-MultiControl a multi-function controller with integrated display. The housing is made of plastic and can be easily installed on the desired mounting location for example wall by using two screws. The integrated week timer is adjustable through a Day/Night-Set point and is able to switch on/off the controller. The varied areas of use characterise this controller. There are no limits for the controller with the predefined programs e.g., pressure-, volume flow-, temperature-, humidity-, CO₂-, speed control and more directors.

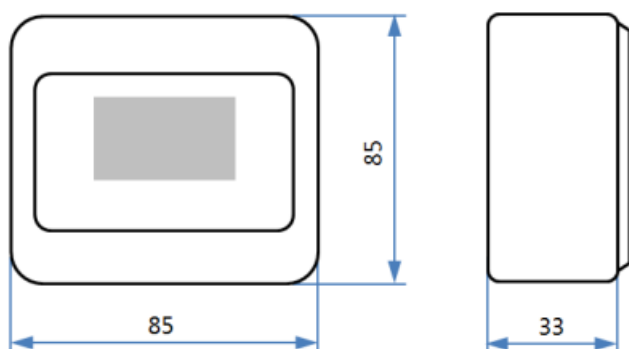
The MTC is equipped with two control loops (two outputs 0-10Vdc) and a relay output. Various adjustable parameters are available for the optimal use of the controller. The MTC was specially developed for the usage of EC-Fans. Through a MicroSD-Card the predefined parameters can be transferred in a simple way to the controller, perfectly suited for use in a wide variety of applications.

The setting parameters were described in the controller manual.

Technical Data:

Type	Art.-No.	Voltage/ Frequency	Protection class	Ambiente temperature	Output current 0-10V	Relais output	Weight
MTC	H55-00073	230V AC / 50Hz	IP40	0-50°C	10mA	5A	100g

Dimensions:



Applications:



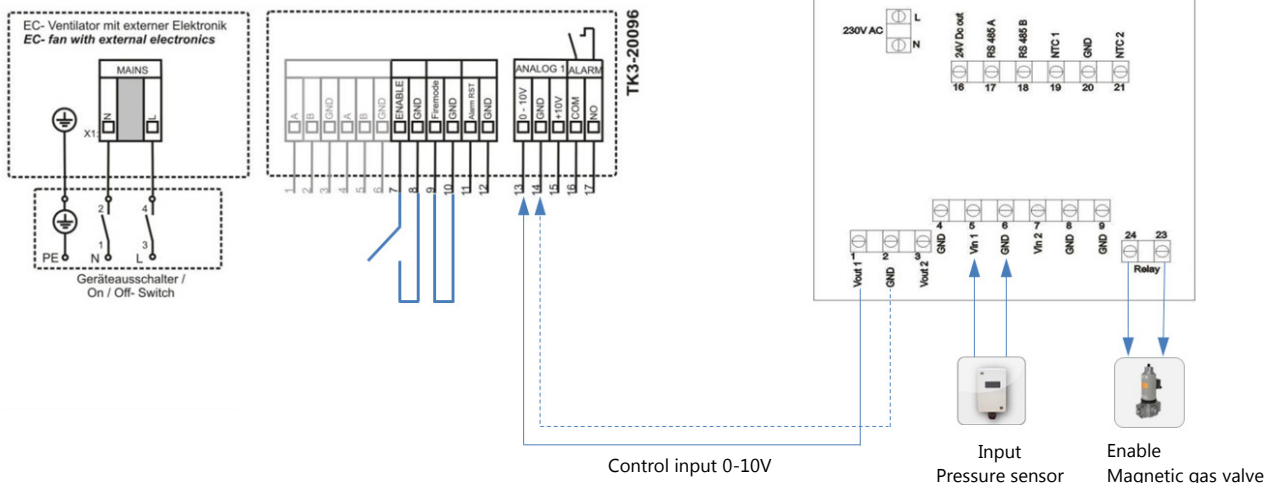
Kitchen exhaust air in connection with magnetic gas valve



EC-Unobox-ME



MTC 230V



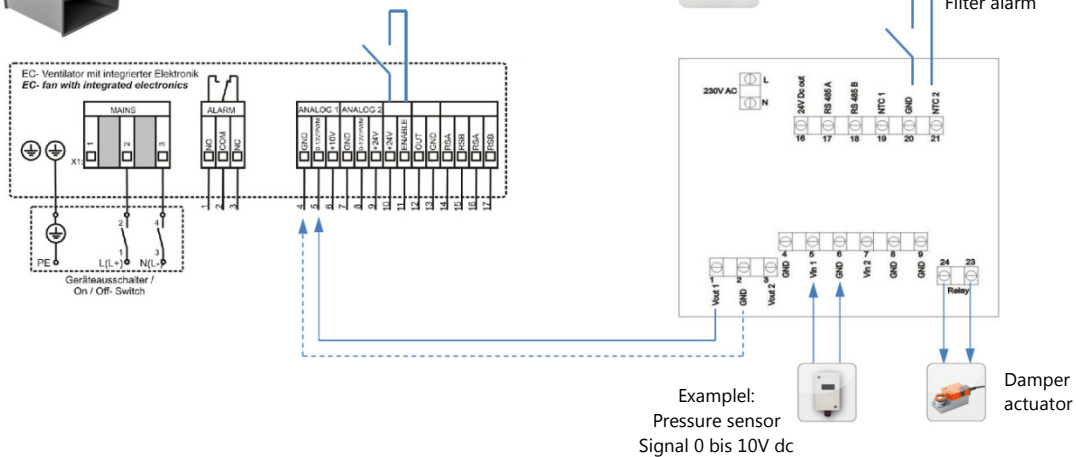
Fans in connection with Dampers control and Filter monitor



EC-Duct fan



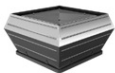
MTC 230V



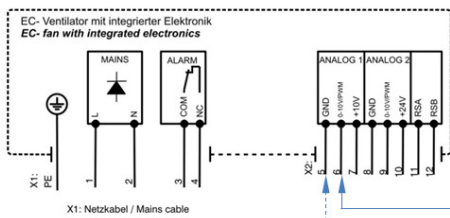
Applications:



EC-Fans
 Two fans with different speed



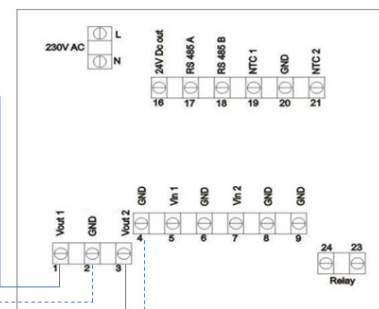
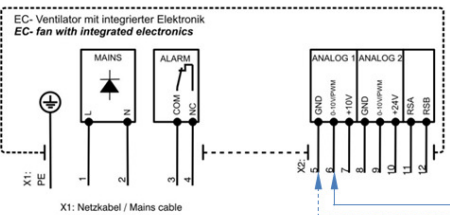
EC-Roof fan (1)



MTC 230V
Software 2.4



EC-Roof fan (2)



Control input 0-10V e.g. 8V

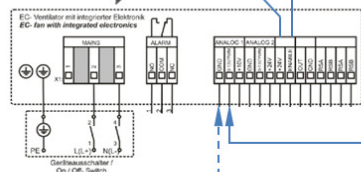
Control input 0-10V
(follow Roof fan 1 e.g. with 75% of 8V = 6V)



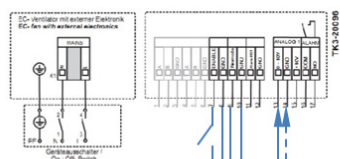
AHU 2 (Note: For this application you need a another MTC)
 EC-Supply air unit und EC-Exhaust air unit



EC-Supply air unit



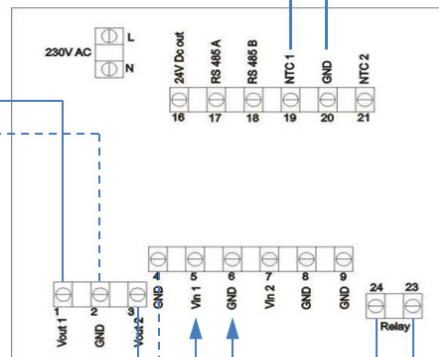
EC-Exhaust air unit



MTC 230V
Software 2.4



Filter Alarm



Control input 0-10V e.g. 8V

Control input 0-10V
(follow Supply air unit e.g. with 75% of 8V = 6V)

Example:
Pressure sensor Signal 0-10V dc



Damper actuator
Attention:
 With spring return!

Compatibility (EC- Standard fans):

MTC (230V)	ERAG ...	EHAG ...	R ... G	Z ... G	KHAG ...	DV ... G	GQ ...	Uno ... G Uno-ME ... G
H55-00073	✓	✓	✓	✓	✓	✓	✓	✓

Scope of delivery:

- MTC (MultiControl)
- Documentation

Vendor information:

Warranty Guidelines:

The customer is responsible for the project design, selection and operation of the fans. The supplier gives warranty for faulty products, excluding further claims, in accordance with paragraph VII of the valid terms and conditions of business. Warranty will not given in the following instances: Unfitted or inappropriate usage, incorrect mounting or faulty installation by the purchaser or a third party, normal wear and tear, incorrect or negligent handling, improper maintenance, unsuitable operating material, faulty installation, unsuitable ground and chemical, electrochemical or electrical influence - as long as they are not the responsibility of the supplier. If the goods delivered from the manufacturer are faulty, the customer has the right to receive a replacement or replacement of the faulty parts up to the maximum value of the purchase price. The manufacturer also has the right to get the product repaired within a reasonable time period. The manufacturer must be informed immediately in the case of damage. Noise level specifications of fans are simply valid in combination with Rosenberg controllers! The usage of third-party products will cause the Rosenberg guarantee claim. The obligation to replace additional faults is herewith excluded. Our general terms of business are the basis for all further agreements for example: time periods to repair or replace. The general terms of business are available on our website www.rosenberg.eu or direct from one of our sales representatives.

Terms & Conditions of sale and delivery

We sell based on our Terms & Conditions of sale and delivery, supplemented by the "German conditions of delivery for products of the electrical industry". Prices are applicable ex works, excluding packaging. We reserve the right to change construction, design, technical data and prices without prior notification. Place of performance and court of jurisdiction is D-74653 Künzelsau. Minimum order value: 50 Euro. For orders less than 50 Euro there will be a surcharge of 10 Euro.