

**Construction scheme:**



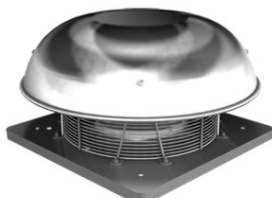
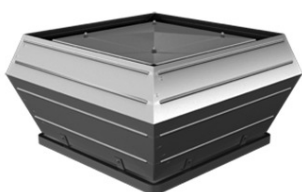
**DV(S) / DVW(S)**  
Roof fan  
vertical outlet



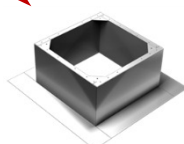
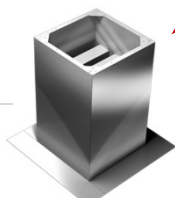
**DH / DHW**  
Roof fan  
horizontal outlet



**DVWN(S)**  
Roof fan  
vertical outlet  
Outside motor

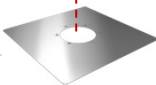


**SD**  
Socket sound absorber



**FS**  
Flat roof socket  
insulated

**AP**  
Adapter plate



**VS**  
Shutter automatic

**ASS**  
Flexible tube  
connection



**ASF**  
Flange

**Another possible accessories:**



**VM**  
Shutter motor driven



**BG**  
Protection guard



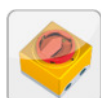
**KR**  
Swing-out frame



**SDS**  
Base for sloping roof 1-45°



**SSD**  
Sound absorber for sloping  
roof 1-45°



**GS**  
ON/OFF-switch



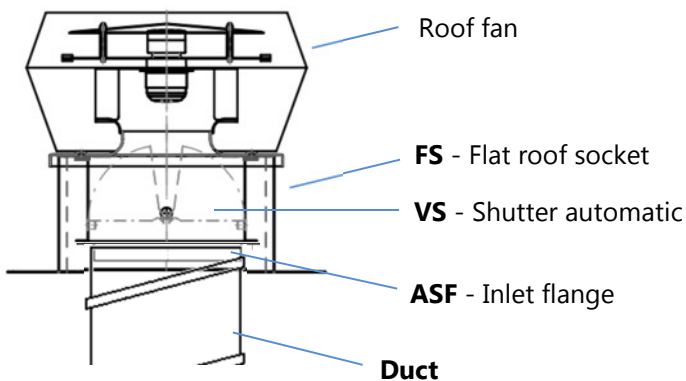
**RE/RTE/RTD**  
Control unit IP54  
(Not possible with DVWN 560-710)



**ED (230V)**  
Control unit electronically  
(Only to a limited extent)

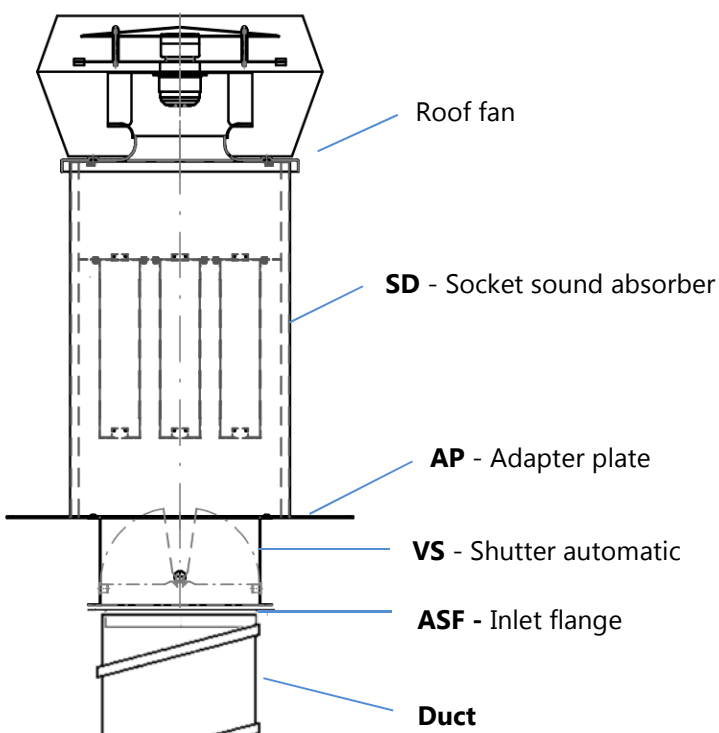
**Installation notes with shutter automatic VS:**

Installation in conjunction with Flat roof socket (FS)

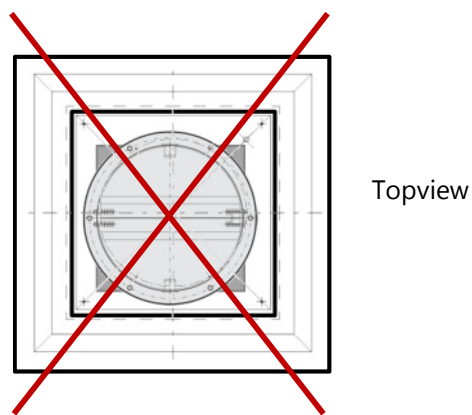
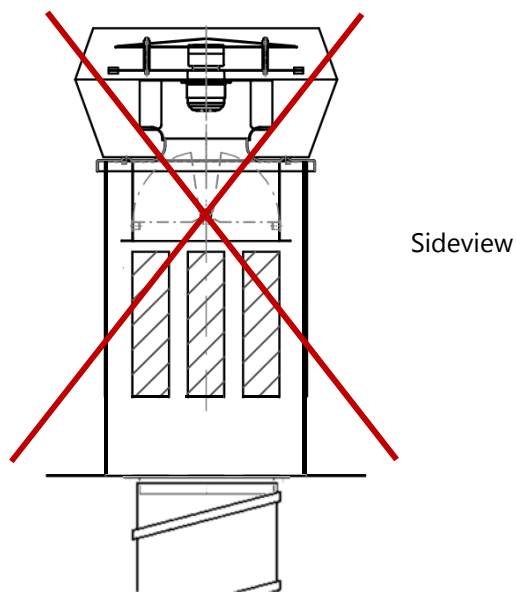


Installation in conjunction with Socket sound absorber (SD)

**RIGHT**



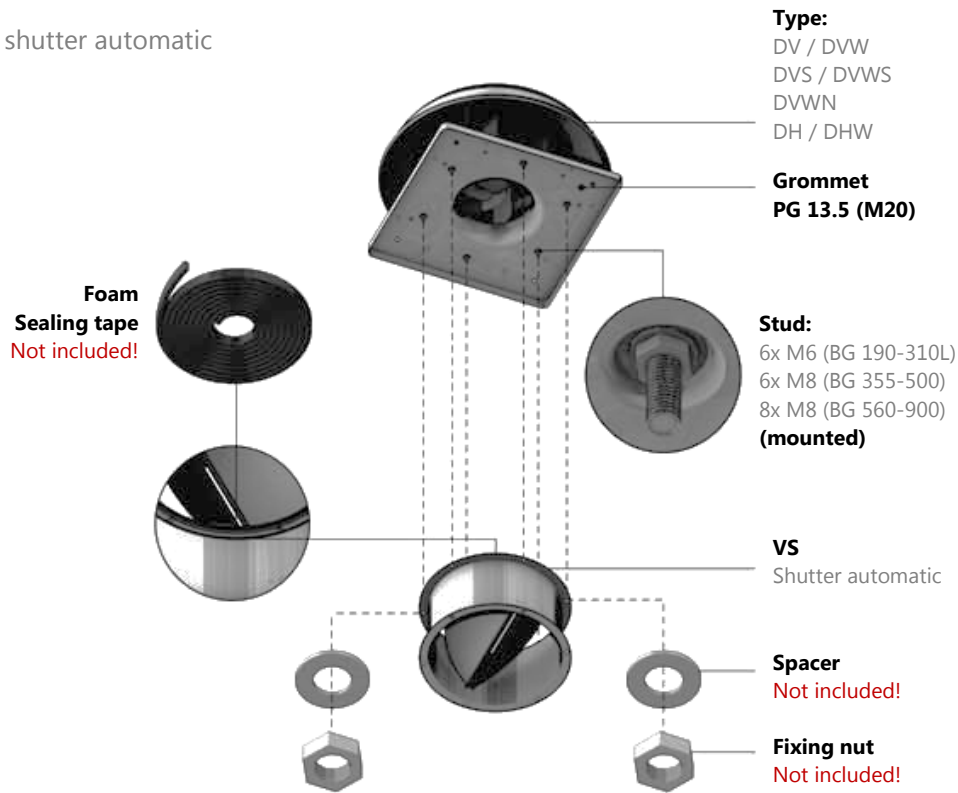
**WRONG**



## Installation of accessories

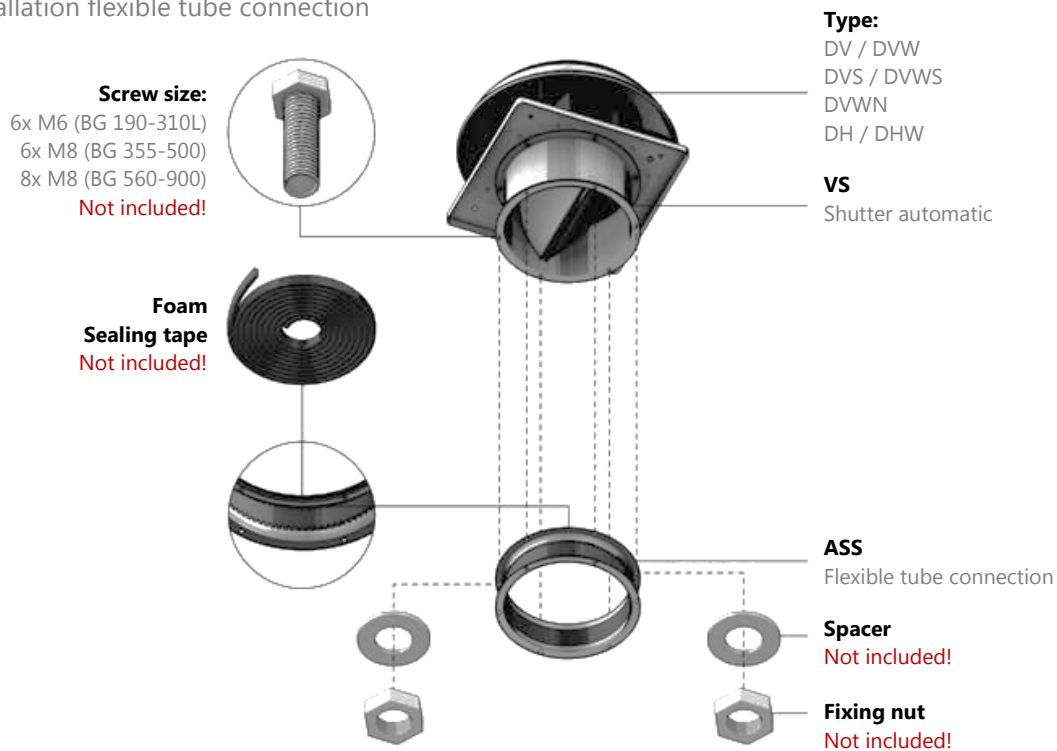
### Step 1

Installation shutter automatic



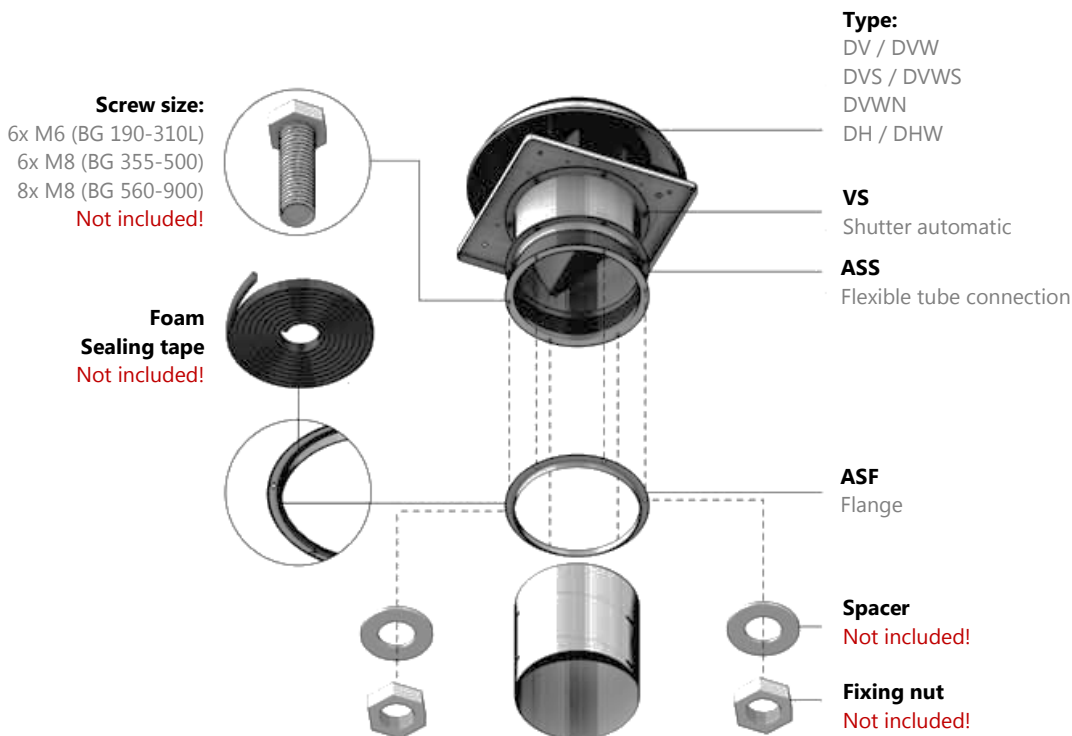
### Step 2

Installation flexible tube connection



**Step 3**

Installation flange



**Step 4**

Installation Flat roof socket

