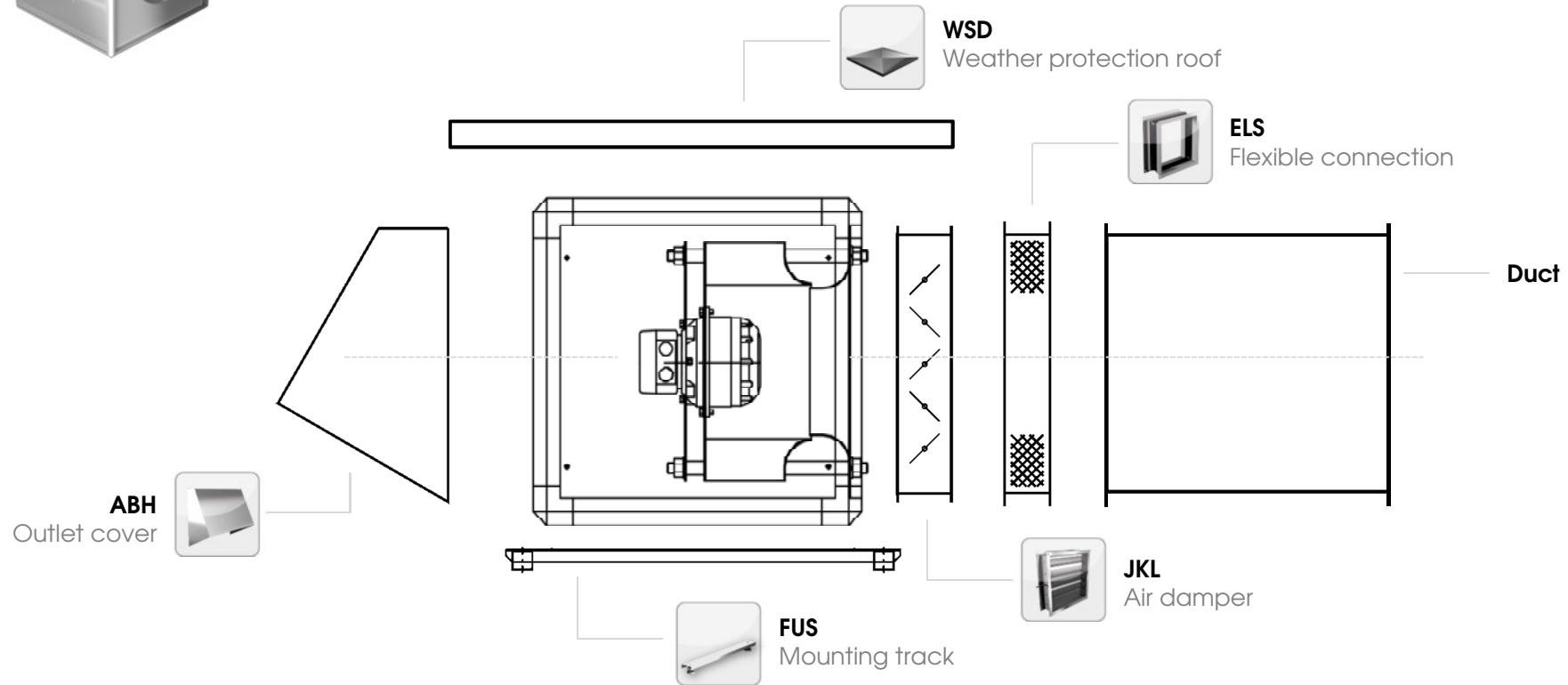




Outdoor installation
of the Unobox with axial air direction.
Mounting hardware is **not** included!



Another possible accessories:



BT
Service door



SV
Side covering



BG
Protection guard



GS
ON/OFF-switch



RE / RTE / RTD
Control unit
(5-step)



MSE / MSD
Motor protection
switch
(ON/OFF)



TE / TD
Transformer
(in bulk)



S5
5-step switch
(in bulk)